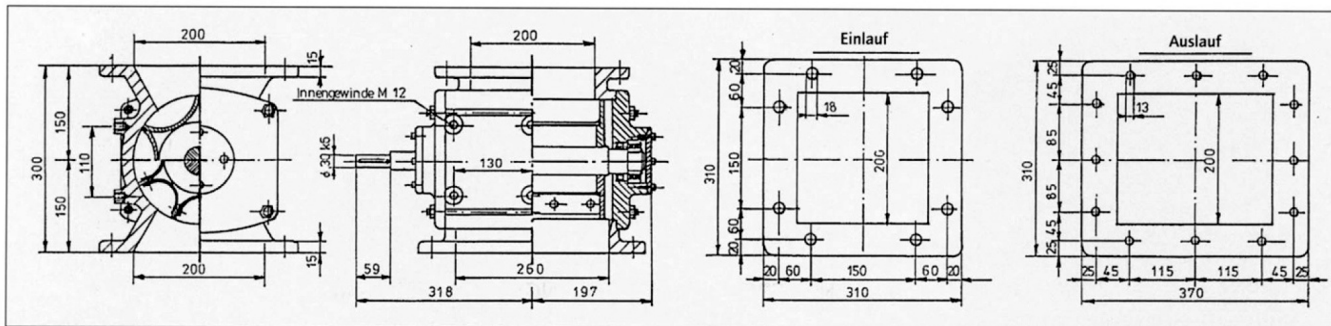


# DIMENSION TABLE + DIMENSIONAL DRAWING Rotary Valve TYPE SZR - DN 200



Type	theoret. displaced vol. 25 rpm (m <sup>3</sup> /h)	Displaced volume (l)	Inlet (mm x mm)	Total height (mm)	Total length (mm)	Total width (mm)	weight (kg)	
							1*	2*
SZR 200/0,6	1,0	0,6	200 x 200	300	520	310	80	120
SZR 200/1,8	3,5	1,8	200 x 200	300	520	310	80	120
SZR 200/3,2	6,0	3,2	200 x 200	300	520	310	80	120
SZR 200/4,3	7,5	4,3	200 x 200	300	520	310	80	120

<sup>3</sup> theoretical displaced volume at 25 rpm (m<sup>3</sup>/h) · 1\* = weight without gear - 2\* = weight with gear