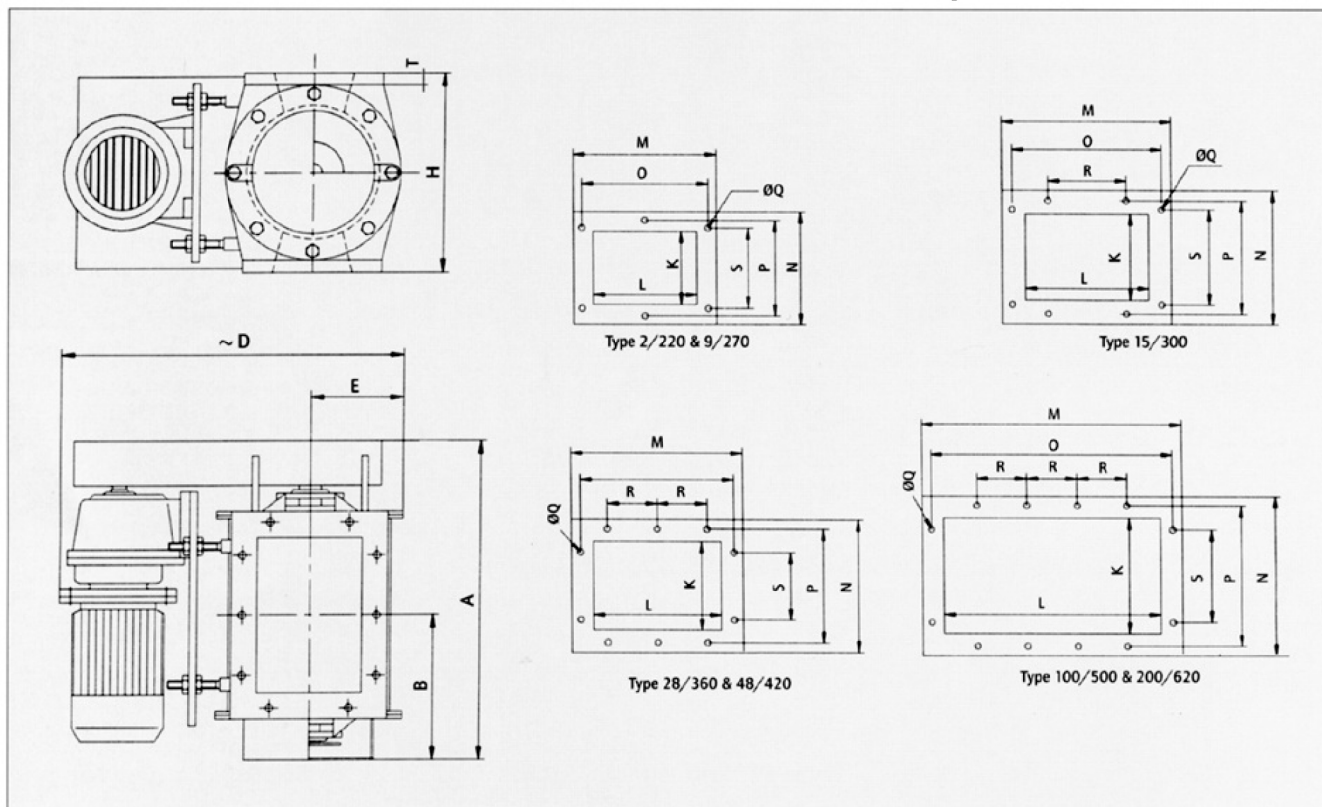


DIMENSIONAL DRAWING & DIMENSION TABLE Rotary Valve TYPE N/UL



Type N/UL	1 ¹ theoret. displaced volume 25 Upm (m ³ /h)	Displaced volume (l)	Inlet (mm x mm)	Weight (kg)		A		B	
				1*	2*	Type N	Type UL	Type N	Type UL
5/220	7,5	5	150 x 200	135	70	520	555	235	255
9/270	13,5	9	180 x 200	160	95	520	555	235	255
15/300	22,5	15	200 x 280	190	125	600	655	270	290
28/360	42,0	28	250 x 350	300	225	670	730	310	330
48/420	72,0	48	300 x 450	350	295	700	850	375	395
100/500	150	100	350 x 550	510	450	920	990	445	465
200/620	300	200	460 x 860	1225	1125	1425	1425	780	800
300/650	450	300	460 x 1260	1600	1475	1725	1725	900	920

³ theoretical displaced volume et 25 rpm (m³/h) · 1* = weight with gear - 2* = weight without gear

Type N/UL	D	E	H	K	L	M	N	O	P	Q	R	S	T
5/220	590	145	325	150	200	285	235	260	205	12	-	180	13
9/270	600	170	375	180	200	285	265	260	235	12	-	180	13
15/300	635	202	420	200	280	380	300	350	270	14	180	200	15
28/360	700	223	485	250	350	450	350	420	320	14	150	180	16
48/420	720	255	560	300	450	550	400	520	370	14	190	230	22
100/500	900	300	655	350	550	670	460	640	430	14	140	250	24
200/620	975	375	780	460	860	1000	600	960	560	18	-	-	25
300/650	on customers' request												